

AQUA-BASE[®]
watermakers

by **SLCE** Watermakers

Aruba

Newly designed watermakers
for intensive use

www.aquabase.net

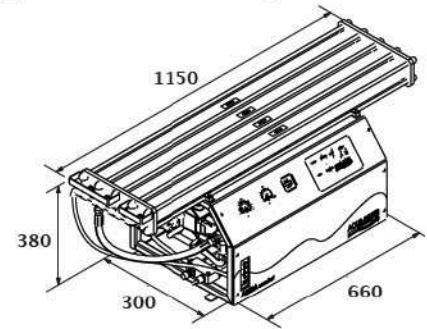


Aruba Comfort

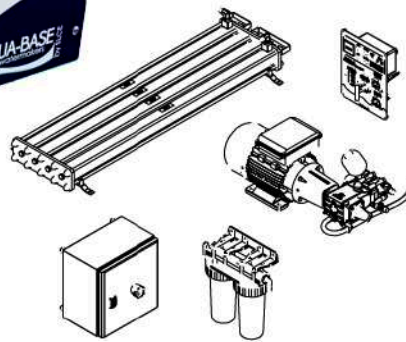
SLCE Watermakers continually improves its products to respond to market trends. Stemming from a heritage of more than 30 years of innovation, the ARUBA range is fully aligned with this passion for improvement, developing the strengths which have made it a benchmark with coastguards, commercial fishing, com-

merce, and pleasure boating. The ARUBA series, with easier maintenance and improved ergonomics, includes all the essentials of an AQUA-BASE watermaker in a more compact frame, using the latest proven technology, thus offering machines that are extremely easy to use in all circumstances.

- ✓ Sturdy
- ✓ Reliable
- ✓ Easy to use
- ✓ From 60 to 300 L/h



COMPACT



MODULAR

Aruba Comfort

Capacity	Model	Voltage		Power Consumption	Weight
		Single Phase	Three Phase		
60 L/h	ARUBA 60 Comfort	230 or 115 V	220, 400 or 440 V	1,5 kW	61 kg
120 L/h	ARUBA 120 Comfort	230 or 115 V	220, 400 or 440 V	1,5 kW	68 kg
180 L/h	ARUBA 180 Comfort	230 or 115 V	220, 400 or 440 V	2 kW	75 kg
240 L/h	ARUBA 240 Comfort	230 or 115 V	220, 400 or 440 V	2 kW	82 kg
300 L/h	ARUBA 300 Comfort	230 V	220, 400 or 440 V	3 kW	92 kg

Rated performance given at +/- 10% using standard seawater, with 35 g/l salinity and temperature at 25°C. Other voltages available, please ask us.

Aruba Premium

Benefits from INVERTER technology.

The ARUBA Premium is a fully automatic model with an integrated touch screen control. Equipped with all the upgrades of the Comfort version, the ARUBA Premium has automatic pressure regulation and optimized pump operation without peak power at start-up, thanks to INVERTER technology.



User Friendly Menu



TO REGULATE
automatically the pressure according to the characteristics of the water to be treated.



TO PROGRAM*
the number of litres of pure water to be produced (or the production time required).



TO CONNECT
Connectable to a vessel's main control screen and/or a smartphone application.



(*Flushing can be fully automated, so that it flushes every time the Watermaker stops.

Aruba Premium

Capacity	Model	Voltage		Power Consumption	Weight
		Single Phase	Three Phase		
60 L/h	ARUBA 60 Premium	230 V	220, 400 or 440 V	1,5 kW	61 kg
120 L/h	ARUBA 120 Premium	230 V	220, 400 or 440 V	1,8 kW	68 kg
180 L/h	ARUBA 180 Premium	230 V	220, 400 or 440 V	2,2 kW	75 kg
240 L/h	ARUBA 240 Premium	230 V	220, 400 or 440 V	2,6 kW	82 kg
300 L/h	ARUBA 300 Premium	230 V	220, 400 or 440 V	3,4 kW	92 kg

Rated performance given at +/- 10% using standard seawater, with 35 g/l salinity and temperature at 25°C. Other voltages available, please ask us.



Options



Aruba Comfort



Aruba Premium

Main Options*	ARUBA COMFORT	ARUBA PREMIUM
Analog remote control	○	-
Touch screen remote control	-	○
Automatic flushing	○	●
Manual sand filter	○	○
Automatic sand filter	-	○
Post treatment (Neutralite, chlorination)	○	○
Smartphone application	-	○
Connectivity box (to the control screen)	-	○

- (Standard)
- (Option available)
- (Not available)
- * (Other options available, please ask us)

Your contact

149 rue Salvador Dali
 ZA de Kergouaran - CS 8002 CAUDAN
 56607 LANESTER Cedex - FRANCE

tel: +33 (0)2 97 838 888
 slce@slce.net
 www.aquabase.net

