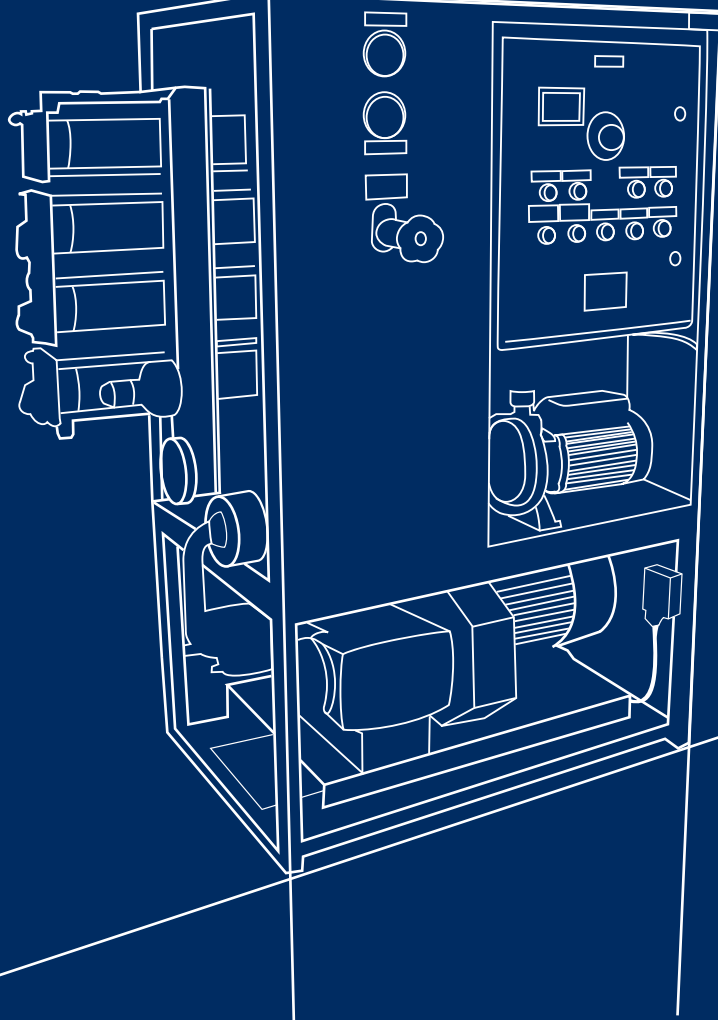


SLCE[®]

watermakers



Up to 32 cubic meters per day

A quality machine

From the primary filtration of the feed sea water, to the quality control of the produced water, SLCE SD desalinators comprise a complete and high performance treatment line, associated with an ergonomic control and checking system.

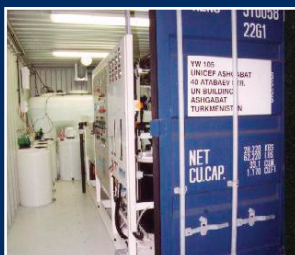
Composition

- Epoxy coated stainless steel frame
- Self priming low pressure feed pump
- Sand filter with multi-function valve
- 20 and 5 µ cartridge filters
- High pressure pump in 316 L stainless steel
- Reverse osmosis modules with high rejection rate membranes
- Pressure control gauges and pressure safety switches
- Continuous salinity checking with automatic diversion valve
- Flushing circuit with circulation pump
- Electrical cabinet automatically driven by a PLC
- Neutralite filter separated for installation on the produced water piping

Specific complementary equipment

- Chlorination unit for the produced water
- UV steriliser
- Silver Ion steriliser
- Secondary stage osmosis unit for the production of technical water
- Automatic sand filter
- Energy recovery unit (available on SD21-404 and SD21-404T) ...

Some customised solutions



- **Mobile water** production unit
- Equipment in a **container**
- Equipment **transportable by air**
- **Military equipment** ...

Our design department can respond to all specific use requirements





SLCE SD5

From 1.5 to
5.5 m³/24 h

Compact

Compact dimensions and capacities suitable for small tonnage vessels.



The neutralite filter and the sand filter are separated from the skid.

The reverse osmosis module can be integrated with, or separated from, the skid.

Capacity	Model	Connected power	Desalinator weight	Sand filter weight
1,5 m ³ /24 h	SD5-201	3 kW	120 kg	125 kg
3 m ³ /24 h	SD5-202		125 kg	
4,5 m ³ /24 h	SD5-203		130 kg	
5,5 m ³ /24 h	SD5-204		140 kg	

SLCE SD11/SD21/ SD 22

From 5 to
32 m³/24 h

Compact
Modular
kit

Very compact desalinator; excellent compromise between production capacity and space requirements.

In its modular version the skid can be separated into three modules in order to facilitate its transport and installation.



This modularity is very useful when installing the machine on existing vessels, particularly when access is through narrow gangways.

The desalinator can be transported in three compact modules, then re-assembled on

site, connection being easily effected by means of the rapid joiners supplied.

The kit version is ideal for installing on board vessels where there is no single big enough space available.

Available on the SD 21-404 model, the ECO option allows a reduction in electricity consumption.

Capacity	Model	Connected power	Desalinator weight	Sand filter weight
5 m ³ /24 h	SD11-401	7 kW	230 kg	220 kg
8 m ³ /24 h	SD11-402		250 kg	
12 m ³ /24 h	SD11-403		270 kg	
15 m ³ /24 h	SD21-403	9 kW	300 kg	220 kg
20 m ³ /24 h	SD21-404		320 kg	
27 m ³ /24 h	SD22-406	11 kW	355 kg	220 kg
32 m ³ /24 h	SD22-408		390 kg	

SLCE SD11/SD21/SD 22 Twin

From 2x5 to
2x32 m³/24 h

Twin

The most compact double desalinator on the market; all the necessary components of two complete and independant desalimators are integrated into



a single skid, including the sand filters, low pressure pumps, and the neutralite filters.

Each desalinator is independant of the other, and has its own circuit and control cabinet. They can thus

operate either simultaneously or autonomously.

Capacity	Model	Connected power	Desalinator weight
2x5 m ³ /24 h	SD11-401T	2x7 kW	970 kg
2x8 m ³ /24 h	SD11-402T		1000 kg
2x12 m ³ /24 h	SD11-403T		1030 kg
2x15 m ³ /24 h	SD21-403T	2x9 kW	1070 kg
2x20 m ³ /24 h	SD21-404T		1100 kg
2x27 m ³ /24 h	SD22-406T	2x11 kW	1170 kg
2x32 m ³ /24 h	SD22-408T		1240 kg

Available in three phase voltages.
Capacity for standard sea water +/-10% at 25°C and 35g/l.
Power consumption is less than 20% of the installed power.



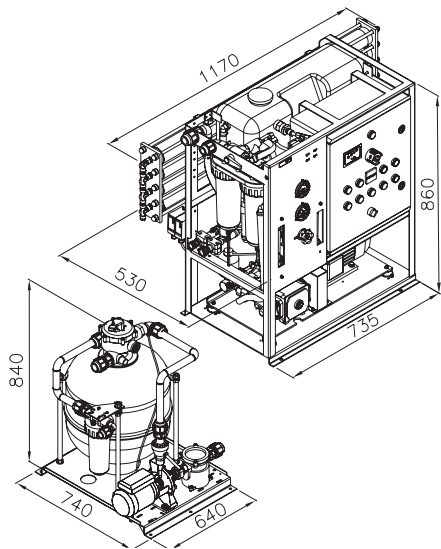
Photo: Bremer



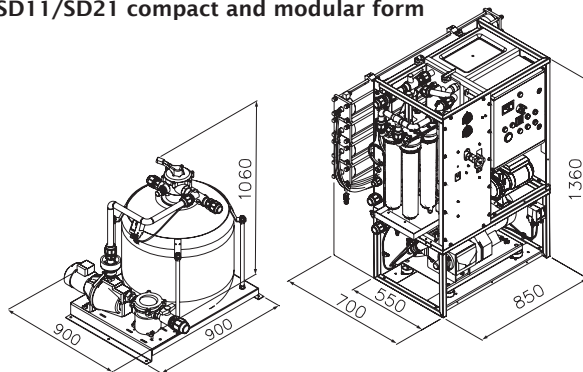
Photo: Sipa / G. Charnell



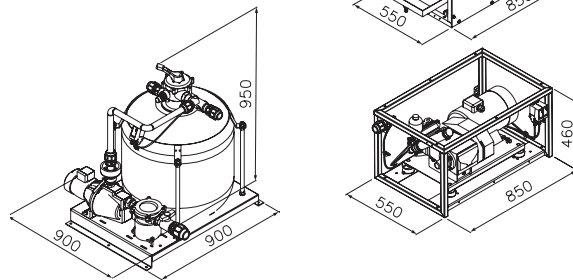
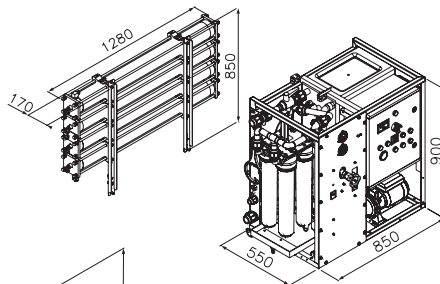
SD5 Compact



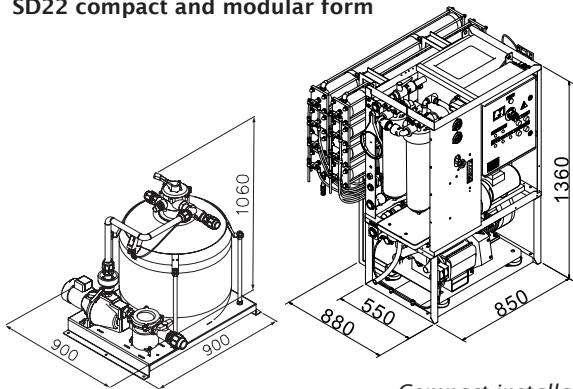
SD11/SD21 compact and modular form



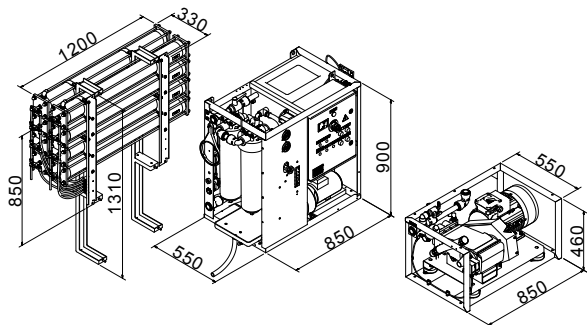
Compact installation
Modular installation



SD22 compact and modular form

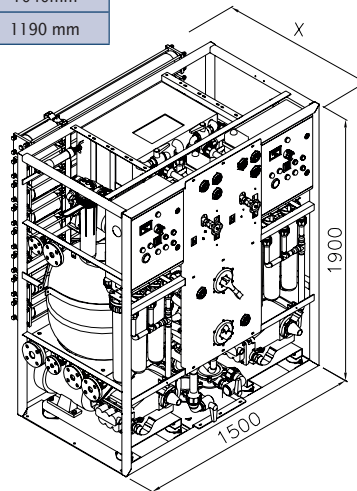


Compact installation
Modular installation



SD11/SD21/ SD22 Twin

Model	x
SD11TWIN SD21TWIN	1040mm
SD22TWIN	1190 mm





Designed for intensive professional use on work vessels and land based sites, SLCE SD desalinators have a well deserved reputation for robustness and simplicity.

- SLCE SD 5 range: from 1.5 to 5.5 cubic meters per day
- SLCE SD 11 and SD 21 ranges ; from 5 to 20 cubic meters per day
- SLCE SD 22 range : up to 32 cubic meters per day

Discover their remarkable reliability, the result of more than 20 years experience on all the seas of the World.

Design, manufacturing, technical support, international network of technical dealers; the SLCE organisation is devoted entirely to quality and service.

Simple and reliable

Easy Installation

- Very **compact** desalinator
- **Wide range** of options for all installation constraints

Simple to use

- **Automatic operation** (operated by a simple «on/off» button)
- Complete and **functional** equipment
- **Automatic flushing** system

Low maintenance

- **Rigorous** design
- **Highest quality** materials
- **Superior quality** components
- Advanced PLC

Very limited maintenance requirements, no particular technical expertise required.

Comfort and safety on board

- Continuous **control** devices for product water quality
- A wide choice of equipment offered for **post treatment of produced water**
- Water production conforming to WHO and MCA recommendations



Compact and modular

The SLCE SD desalinators are available in different capacities and versions according to your usage and installation constraints.

The **modular** and **kit** versions are designed for installation in confined or tiny spaces.

The **Twin** version is recommended when the installation of a back-up unit is required.

SLCE[®]

watermakers

149, Rue Salvador Dali
ZA de Kergouaran - Caudan
CS 8002
56607 LANESTER Cedex
France



tel.

fax

e-mail

internet



Your contact

Blank white area for contact information.